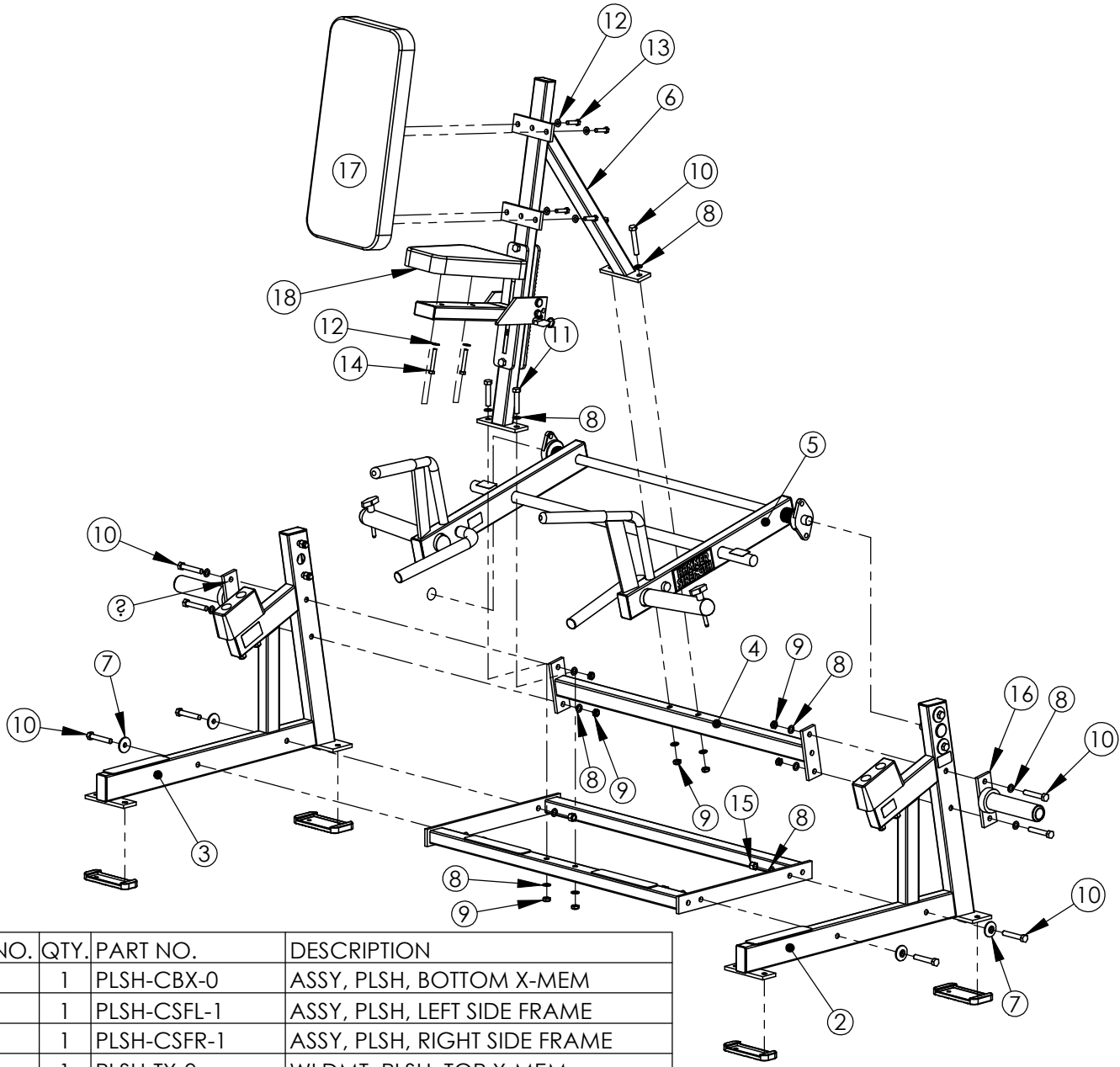


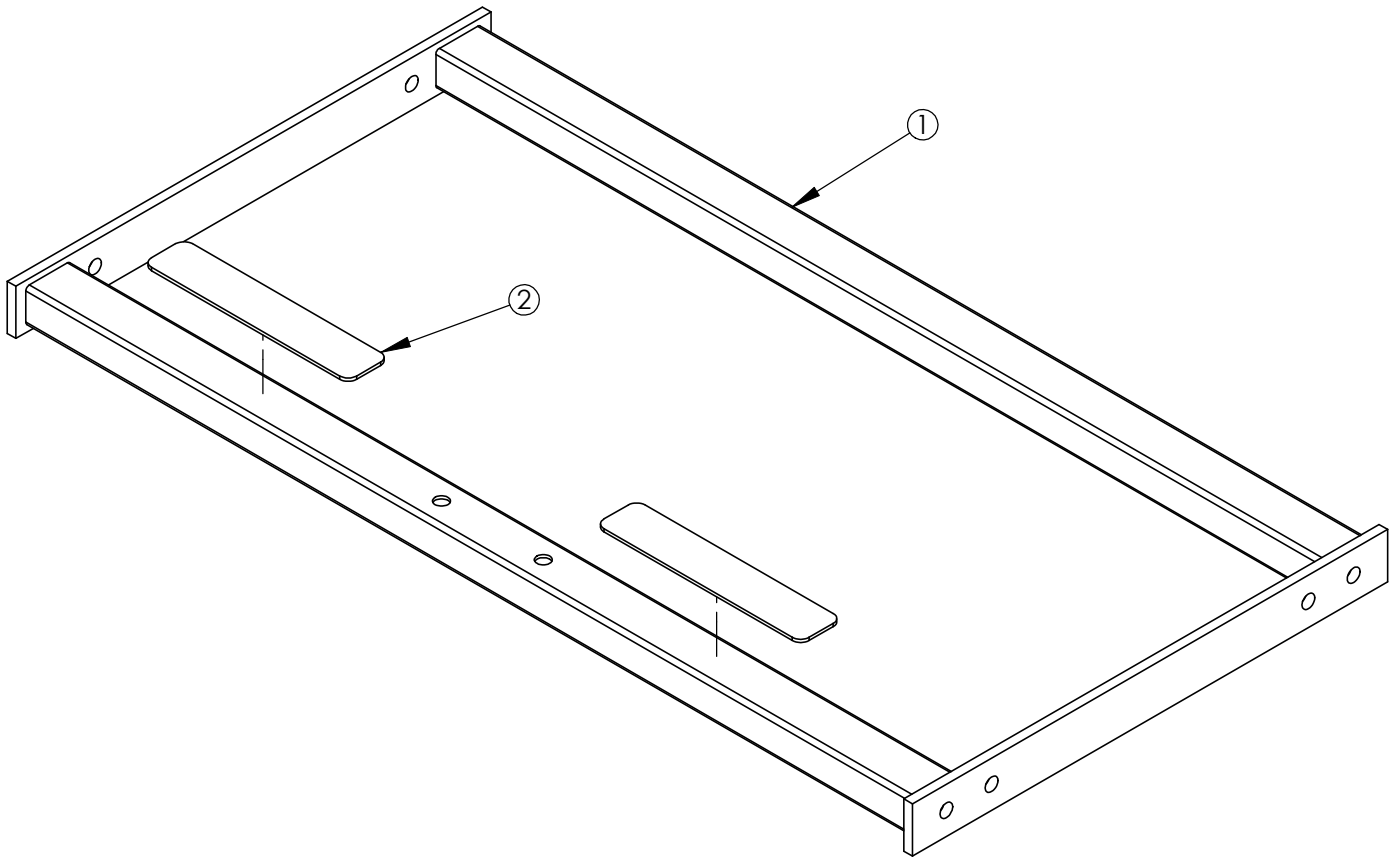
WEIGHT = 208.2 lbs / 94.6 kg
LENGTH = 42
WIDTH = 48
HEIGHT = 54

HAMMER STRENGTH EQUIPMENT PLSH EXPLODED



ITEM NO.	QTY.	PART NO.	DESCRIPTION
1	1	PLSH-CBX-0	ASSY, PLSH, BOTTOM X-MEM
2	1	PLSH-CSFL-1	ASSY, PLSH, LEFT SIDE FRAME
3	1	PLSH-CSFR-1	ASSY, PLSH, RIGHT SIDE FRAME
4	1	PLSH-TX-0	WLDMT, PLSH, TOP X-MEM
5	1	PLSH-CMA-1	ASSY, PLSH, MOVEMENT ARM
6	1	PLSH-CST-1	ASSY, PLSH, SEAT FRAME
7	4	H-BACK-WASH	BACKING WASHER
8	20	WASH.5STAR	1/2" INTERNAL LOCK WASHER
9	8	NUT.5JAMLOCK	1/2 THIN LOCK NUT
10	10	HCB.5X3	1/2 X 3 BOLT
11	2	HCB.5X2.5	1/2 X 2 1/2 BOLT
12	6	WASH.375SAE	3/8" SAE FLAT WASHER
13	4	HCB.375X1.5	STEEL BOLT 3/8 X 1.5
14	2	HCB.375X2.5	STEEL BOLT 3/8 X 2.5
15	4	NUT.5LOCK	1/2 DIA THICK LOCK NUT
16	2	H-HORN-ASSY	ASSY, WEIGHT HORN
17	1	U-24-10	24X10 PAD
18	1	U-12-5	SEAT PAD
19	2	MM-8	2 X 6 FLANGE RUBBER SLIPPER
20	2	MM-9	3 X 6 FLANGE RUBBER SLIPPER

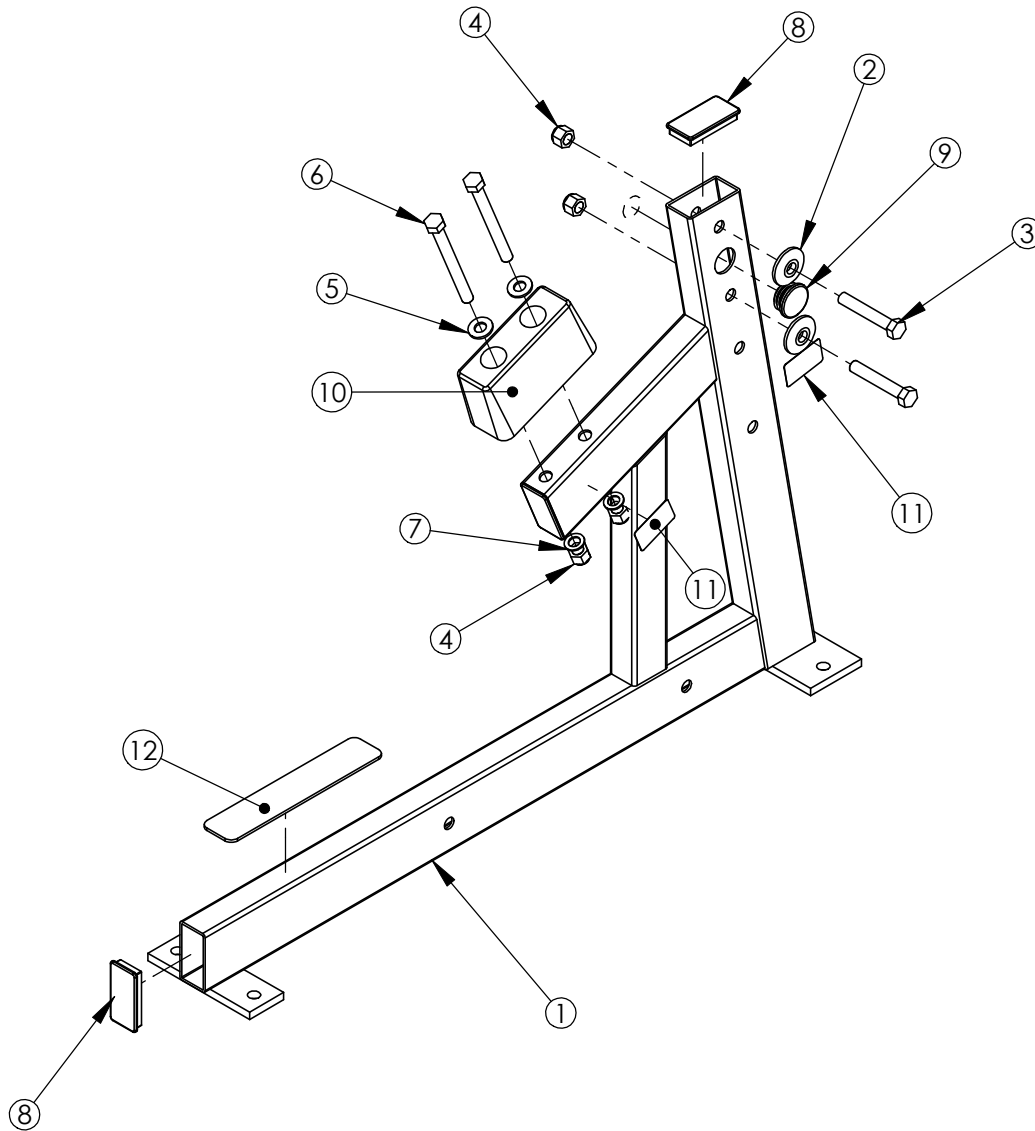
**HAMMER STRENGTH EQUIPMENT
 PLSH-CBX-0, ASSY, PLSH, BOTTOM X-MEM**



WEIGHT = 25 lb
 LENGTH = 40"
 WIDTH = 21"
 HEIGHT = 2"

ITEM NO.	QTY.	PART NO.	DESCRIPTION
1	1	PLSH-BX-0	WLDMT, PLSH, BOTTOM X-MEM
2	2	H-NONSKID 2X9	PLASTIC NON SKID STRIP 2 X 9

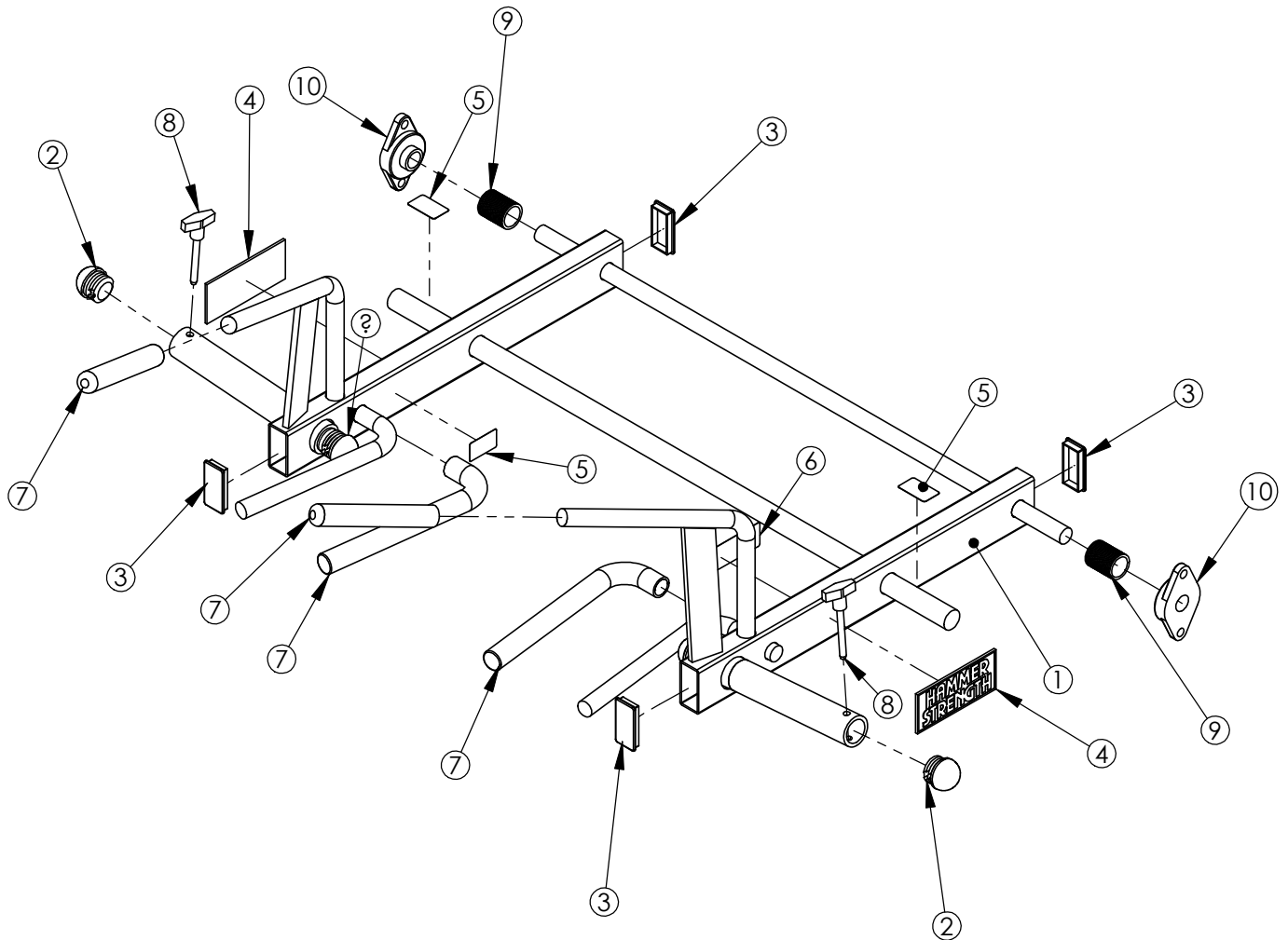
**HAMMER STRENGTH EQUIPMENT
PLSH-CSFL-1, ASSY, PLSH, LEFT SIDE FRAME**



ITEM NO.	QTY.	PART NO.	DESCRIPTION
1	1	PLSH-SF-1	WLDMT, PLSH, SIDE FRAME
2	2	H-BACK-WASH	BACKING WASHER
3	2	HHB.5X3	1/2 X 3 BOLT
4	4	NUT.5LOCK	1/2 DIA THICK LOCK NUT
5	2	WASH.5SAE	1/2" SAE FLAT WASHER
6	2	HHB.5X5	1/2 X 5 BOLT
7	2	WASH.5STAR	1/2" INTERNAL LOCK WASHER
8	3	RC1530-1Q1	CAP:1-1/2 X 3 RECTANGLE PLUG
9	1	H-LOCK-PLUG(SMALL)	SMALL LOCKING PLUG
10	1	H-BUMP-LGE	LARGE BUMPER (VEN# MM1)
11	2	8773701	ASTM LABEL
12	1	H-NONSKID 2X9	PLASTIC NON SKID STRIP 2 X 9

WEIGHT = 30lbs / 13.5kg
 LENGTH = 38
 WIDTH = 6
 HEIGHT = 26

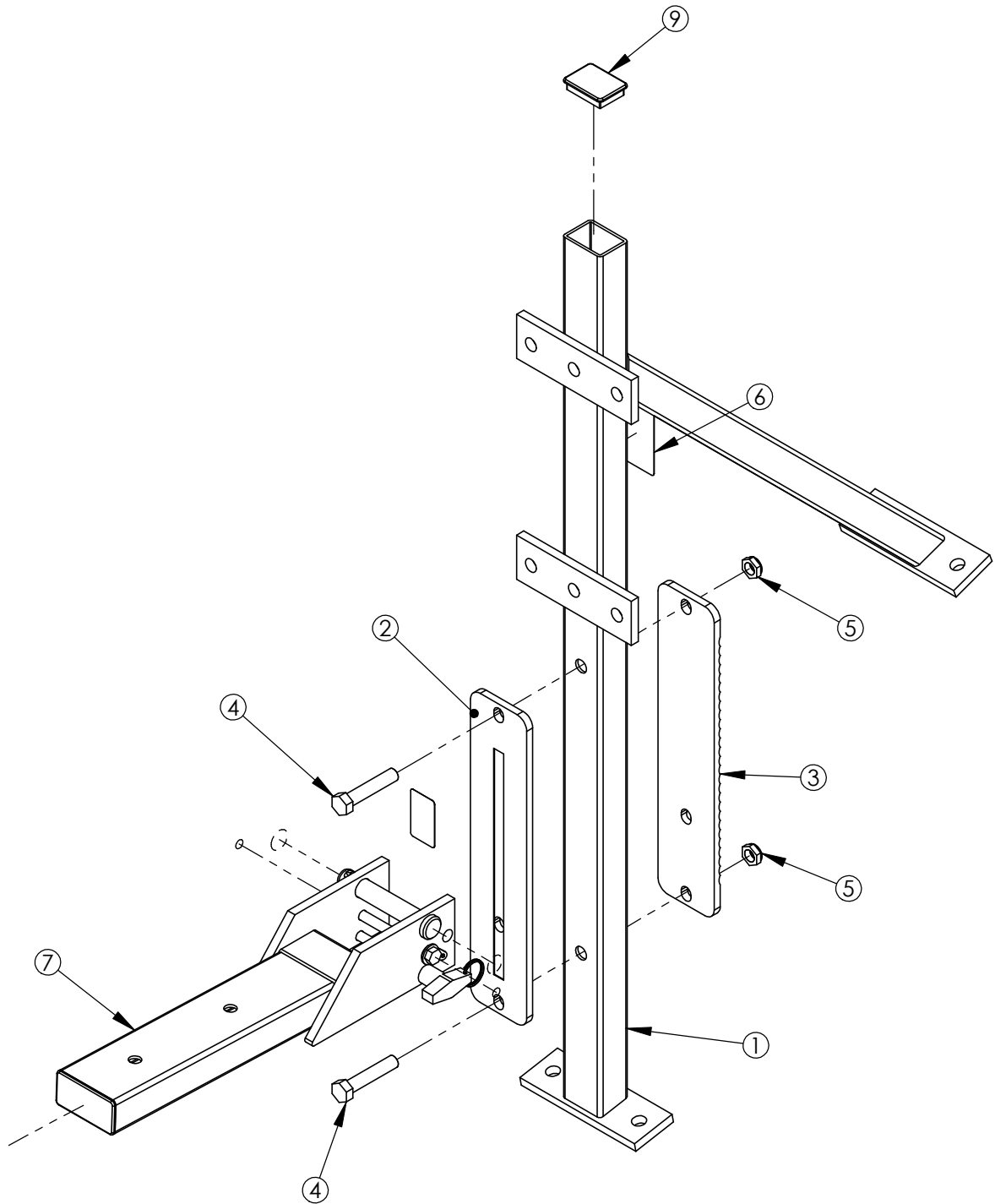
**HAMMER STRENGTH EQUIPMENT
PLSH-CMA-1, ASSY, PLSH, MOVEMENT ARM**



ITEM NO.	QTY.	PART NO.	DESCRIPTION
1	1	PLSH-MA-1	WLDMT, PLSH, MOVEMENT ARM
2	4	RUBCAP1-2	RUBBER CAP #1
3	4	RC1530-1Q1	CAP:1-1/2 X 3 RECTANGLE PLUG
4	2	H-NAME PLATE	NAMEPLATE (45156-P)
5	3	STAY CLEAR	STAY CLEAR DECAL
6	1	IDSH	PRODUCT DECAL
7	4	H-GRIP	HANDLE GRIPS (.938X16)
8	2	SELECTOR PIN-3	SELECTOR PIN 3 IN.
9	2	ACCORDIAN-125	SHAFT GUARD 1.25"
10	2	H-BEAR-SML	SMALL BEARING

WEIGHT = 70.2 lbs / 31.9 kg
 LENGTH = 34
 WIDTH = 54
 HEIGHT = 16

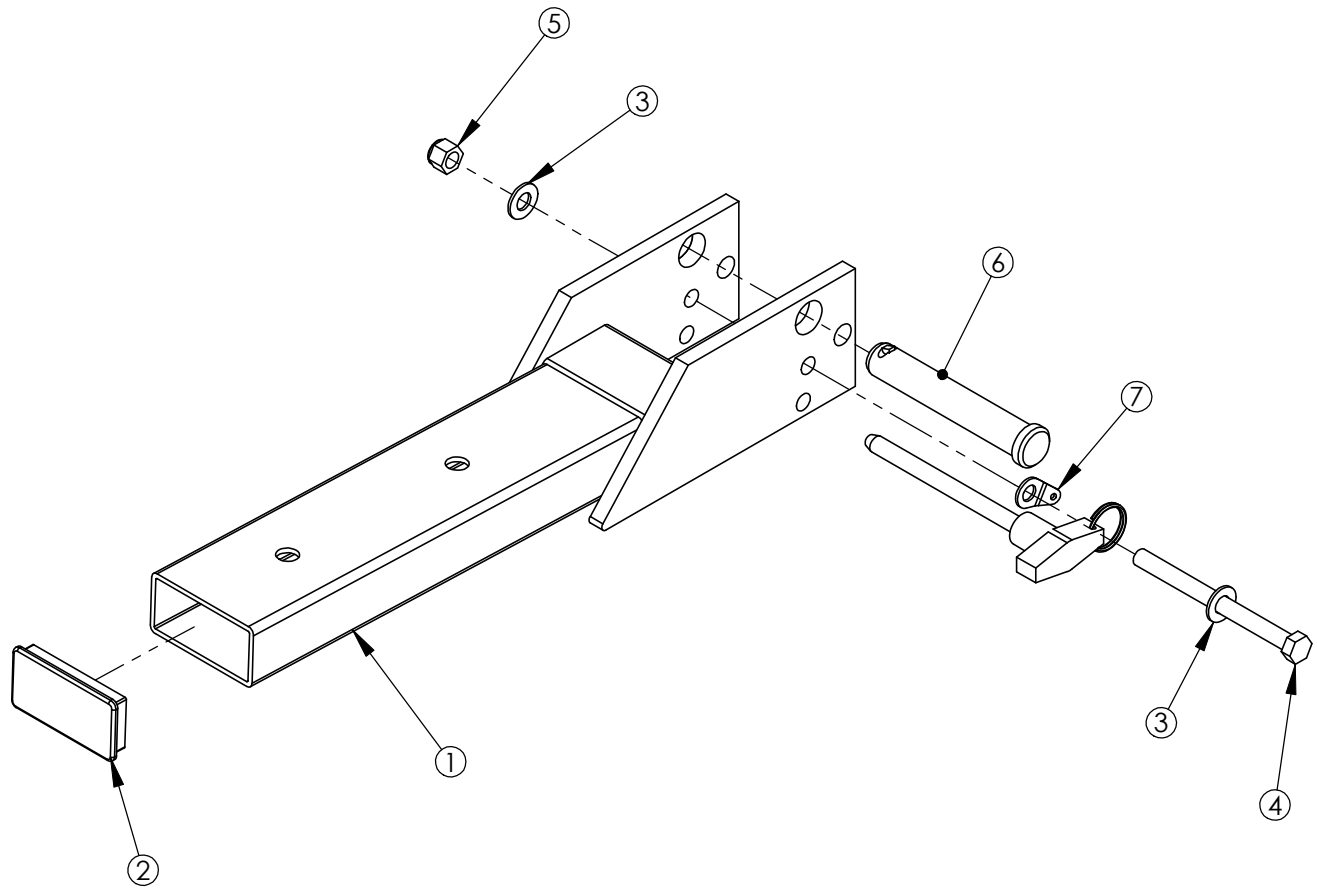
**HAMMER STRENGTH EQUIPMENT
PLSH-CST-0, ASSY, PLSH, SEAT FRAME**



ITEM NO.	QTY.	PART NO.	DESCRIPTION
1	1	PLSH-ST-1	WLDMT, PLSH, SEAT FRAME
2	1	H-SEATRCKS-N	PLASTIC SEAT GUIDES (PP229) NEW
3	1	H-SEATRCKS-RIB	SEATRACK BACK
4	2	HHB.5X2.5	1/2 X 2 1/2 BOLT
5	2	NUT.5JAMLOCK	1/2 THIN LOCK NUT
6	1	SERIAL NUMBER	SERIAL NUMBER
7	1	CSTD-ST-1	ASSY, STD ST
8	1	STAY CLEAR	STAY CLEAR DECAL
9	1	RC1520-1Q1	CAP:1-1/2 X 2 RECTANGLE PLUG

WEIGHT = 30lbs / 13.5kg
 LENGTH = 40
 WIDTH = 6
 HEIGHT = 34

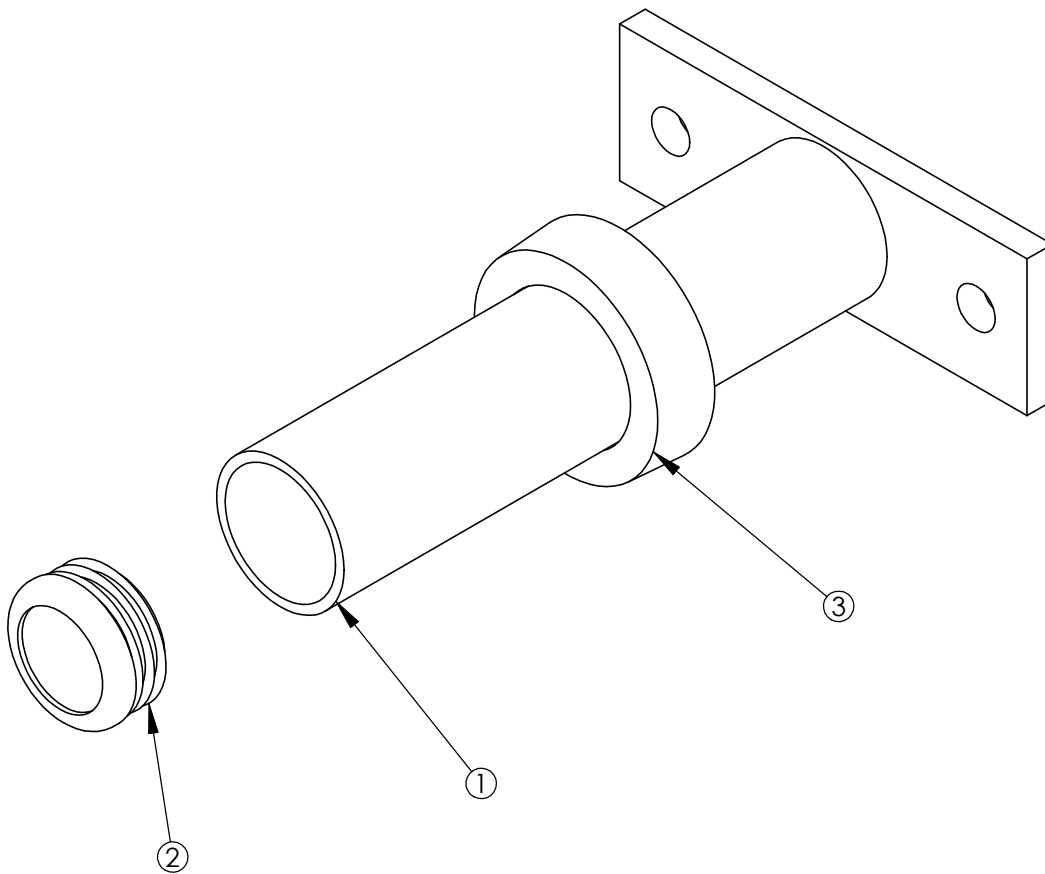
HAMMER STRENGTH EQUIPMENT
CSTD-ST-1: ASSY, STD ST



ITEM NO.	QTY.	PART NO.	DESCRIPTION
1	1	STD-ST	Standard Seat #1
2	1	RC1530-1Q1	CAP:1-1/2 X 3 RECTANGLE PLUG
3	2	WASH.375SAE	3/8" SAE FLAT WASHER
4	1	HHB.375X4.5	STEEL BOLT 3/8 X 4.5
5	1	NUT.375LOCK	3/8 THICK LOCK NUT
6	1	STD SEAT PIN	LONG SEAT PIN (HDADJ)
7	1	SELECTPIN	ASSY, STD SEAT SELECTOR PIN

WEIGHT = 9 lb
 LENGTH = 17"
 WIDTH = 4 3/4"
 HEIGHT = 3"

HAMMER STRENGTH EQUIPMENT
H-HORN-ASSY: WEIGHT HORN ASSEMBLY



ITEM NO.	QTY.	PART NO.	DESCRIPTION
1	1	H-HORN	WLDMT, WEIGHT HORN
2	1	8078001	CAP, END 1.75 DIA RD 14-20 GA
3	1	H-RUBRNG	MM5 RING

WEIGHT = 3 1/4 lb
 LENGTH = 8 5/8"
 WIDTH = 6"
 HEIGHT = 3"